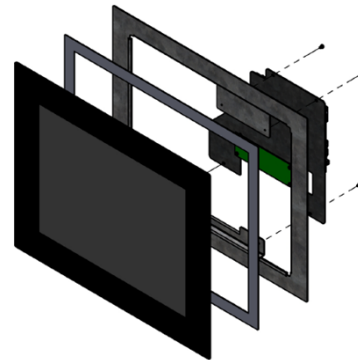
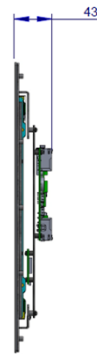
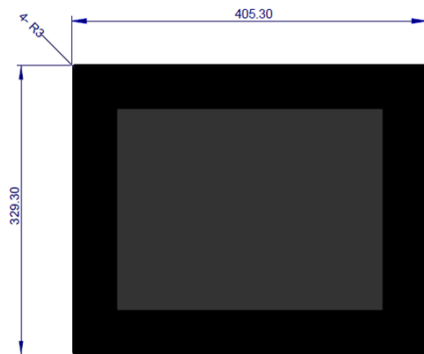


- Industrial Grade
- Bezel-less
- Mounting Bracket



(Unit:mm)

## SPECIFICATIONS

### DISPLAY

Display Size	15" TFT LCD
Pixel Number (H/V)	1024 x 768
Active Area (H/V)	304.128 x 228.096 mm
Pixel Pitch (H/V)	0.099 x RGB x 0.297 mm
LCD Interface	1 Channel LVDS
Brightness (cd/m <sup>2</sup> )	300(typ) / 240(nits) (with touch)
Contrast	720 : 1
Viewing Angle (H/V)	160/150
Display Color	16.2M / 262K colors
Backlight	LED Long Life > 50,000Hrs
Touch Sensor	Projected Capacitive
LCD / Touch lamination	Optical Bonding (Optional)

### TOUCH

Controller Interface	I <sup>2</sup> C
Controller System	Atmel mXT Series
Touch Input Type	Finger and Glove
Controller Type	COB
Multi-touch (points)	10
Cover Glass Thickness	1.8mm
Cover Glass Hardness	>7H
Cover Glass Type	Sodalime
Surface Treatment	Clear
Glass Strengthening	Chemical Strengthening
Optical Transmittance	>85%
Driver Support	Win7/8/10/Embedded, Android, Linux, Chrome

### MECHANICAL

Dimensions (WxHxD)	405.3 x 329.3 x 43 mm
Net Weight	3,300g

### SYSTEM

Processor	i.MX6DL Freescale Processor @ 1GHz
Memory	DDR3 2GB
Storage	iNAND Flash 16GB
Operating System	Android 4.2.2 (Optional Android 6.0.1)

### I/O

USB	3
Serial Port	1 x RS232 / RS485
CAN Bus	1
Ethernet	1x 10/100M
I <sup>2</sup> C	1
SPI	1
Audio Out	1
SD Card Slot	1
DI/DO	3/3

### CUSTOMIZATION OPTIONS

Cover Glass ID	Custom Dimensions and Artwork
Cover Glass Type	Sodalime, Corning Gorilla or other Non-Conductive Materials
Cover Glass Thickness	Up to 2.8mm
Glass Surface Treatment	Anti-Glare, Anti-Reflective
Touchscreen Flex Tail Dimensions	Custom Dimensions and Shapes
Touchscreen Controller Interface	I <sup>2</sup> C, USB or HID-I2C
Multi-touch (points)	Up to 16 points

### ENVIRONMENT

Operating/ Storage	0°C~65°C/ -20°C~65°C
Impact Resistance	Meets UL60950 ball drop test (0.5Kg ball from 1.3m height)

### POWER & ACCESSORIES

Consumption	13W
-------------	-----